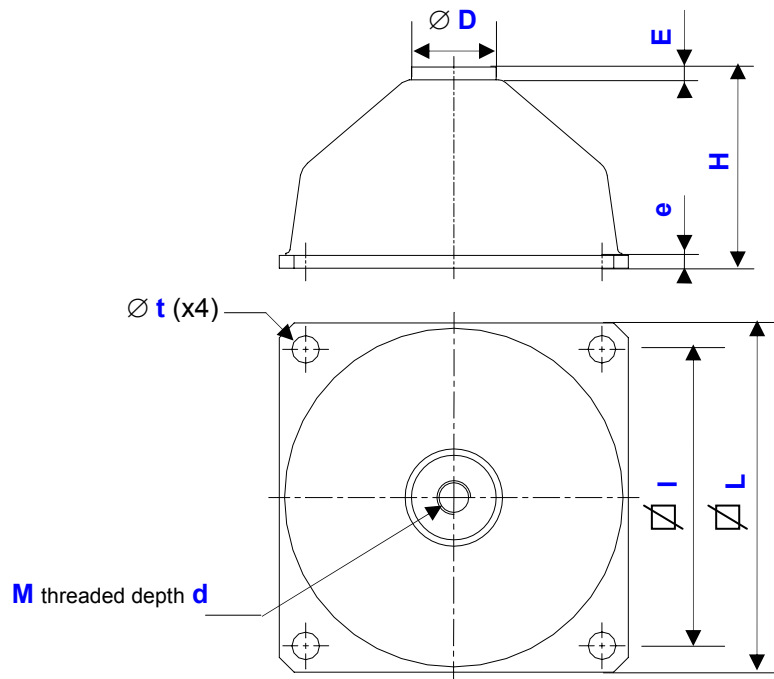


low frequency elastomer mounts standard line "BF"

series
BFC

definition



- Multidirectional anti-vibration/shock mounts.
- Displacement under shock up to 38mm (*).
- Transmissibility : $Q < 10$.
- Maximum static loading 3g.
- Resonant frequency between 5 and 10Hz.
- Max peak output at resonance up to 2mm.
- Temperature range : -30°C to $+100^{\circ}\text{C}$.
- Great adaptability/versatility : Specials on request (materials, size and interfaces, etc.).



Dimensions in mm

Series

Material and finishes

BFC

Elastomer :
polychloroprene
Top and bottom
interfaces :
corrosion protected steel

Other materials
on request.

Dimensions et Load

Model	H	L	l	e	D	E	t	M	d	static load (daN)		axial stiffness ($\text{N}\cdot\text{mm}^{-1}$)	mass (kg)
										mini	maxi		
-11	95	165	138	6	50	5	13	M16	30	30	100	85	2,0
-12										40	140	120	
-13										50	180	150	
-14										70	240	210	
-15										100	380	310	
-16										150	500	470	
-27	113	224	180	10	76	2	17,5	M30	46	180	700	600	9,0
-28										220	900	800	
-29										300	1200	1100	

Example :
BFC-15

B F C - 1 5

Prefix :
"Low Frequency" mount
from the BFC series

Model : -15
height : 95 mm
width : 165 mm
interface : M16

min static load : 100 daN
max static load : 380 daN
axial stiffness : $310 \text{ N}\cdot\text{mm}^{-1}$

Note : (*) Displacement on radial direction limited to 15mm under shock for model 27, 28 & 29

15/07/2004

Socitec
BP 33, 78501 Sartrouville cedex - France
Telephone : +33 (0)1 61 04 60 00
Fax : +33 (0)1 39 14 03 27
<http://www.socitec.com>
e-mail : shock-intl@socitec.com



Document subject to modification without prior notice