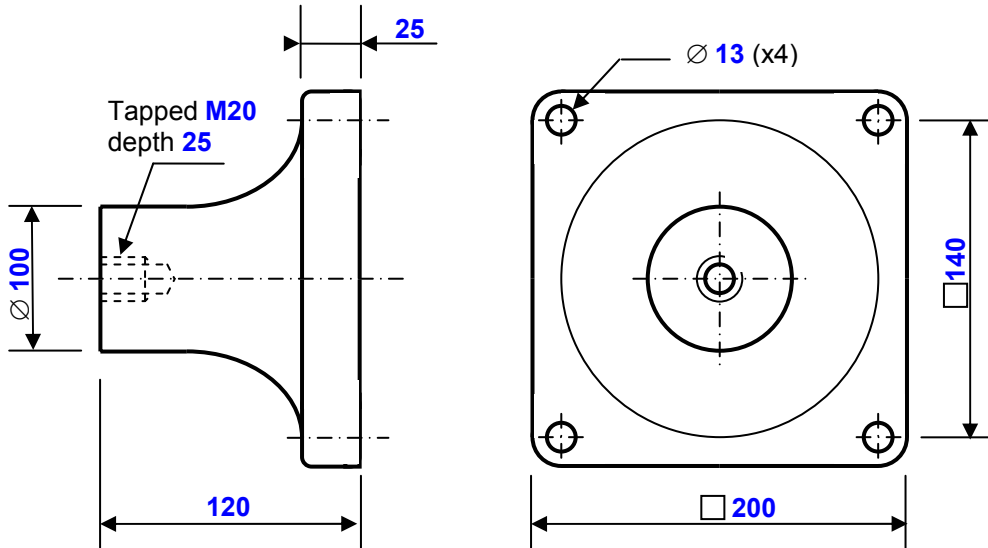


low frequency elastomer mounts navy shock line "BF"

series
SO530

definition



- Multidirectional anti-vibration/ shock mounts.
- Large deflections under shock inputs.
- Transmissibility : $Q < 10$.
- Resonant frequency between 5 and 16Hz (*).
- Excellent attenuation of structure borne noise in the range 12.5 – 10,000 Hz.
- Temperature range : -30°C +70°C.
- Great adaptability/versatility : Specials on request (materials, size and interfaces, etc.).



Dimensions are in mm.

Series

Materials and finishes

SO530

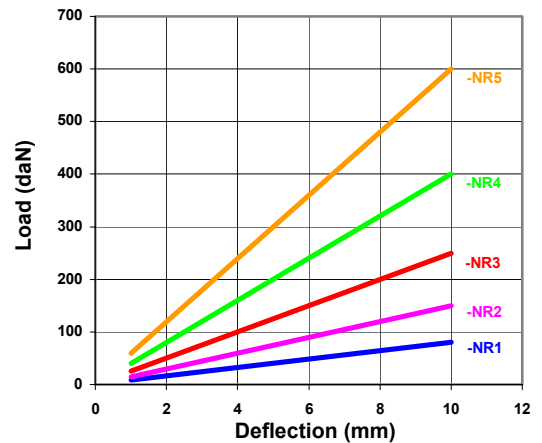
Elastomer :
natural rubber
Top and bottom interfaces :
corrosion protected steel

Other materials on request.

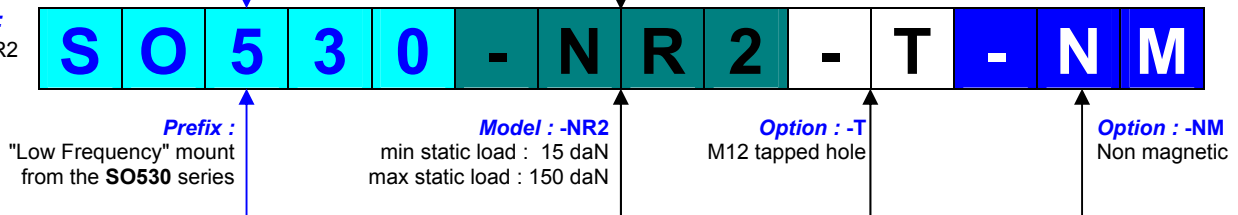
Load

capability	static load (daN)		mass (kg)
	mini	maxi	
-NR1	7,5	75	3,4
-NR2	15	150	
-NR3	25	250	
-NR4	40	400	
-NR5	60	600	

AXIAL LOAD vs DEFLECTION



Example :
SO530-NR2



(*)Note : Resonant frequency between 7 and 20Hz along radial direction.

01/03/2006

Socitec
BP 33, 78501 Sartrouville cedex - France
Telephone : +33 (0)1 61 04 60 00
Fax : +33 (0)1 39 14 03 27
<http://www.socitec.com>
e-mail : shock-intl@socitec.com



Document subject to modification without prior notice