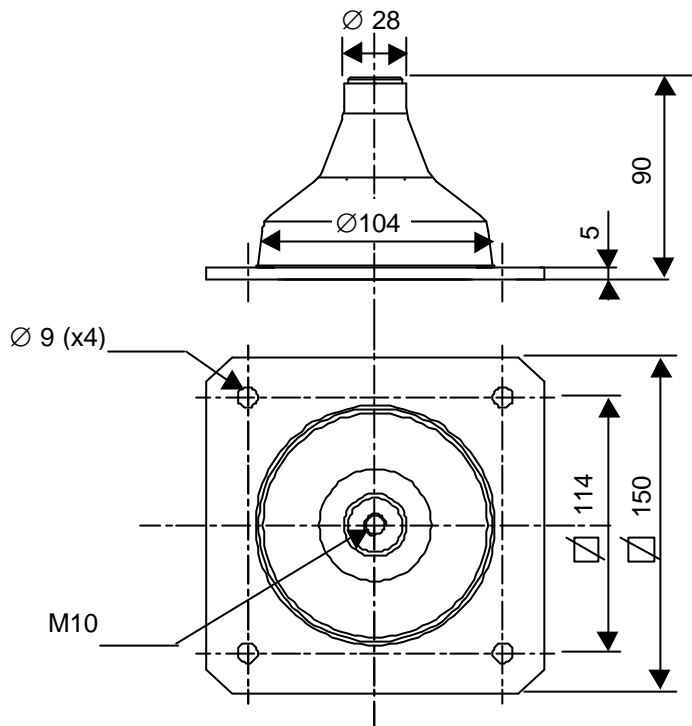


low frequency elastomer mounts standard line "BF"

series
BFM

definition



Dimensions are in mm.

- Multidirectional anti-vibration/ shock mounts.
- Displacement under shock up to 45mm.
- Transmissibility : $Q < 10$.
- Maximum static load 3g.
- Resonant frequency between 10 and 12Hz.
- Temperature range : $-30^{\circ}\text{C} +100^{\circ}\text{C}$.
- Great adaptability/versatility : Specials on request (materials, size and interfaces, etc.).



Series

Materials and finishes

BFM

Elastomer :
polychloroprene
Top and bottom interfaces :
corrosion protected steel

*Other materials
on request.*

Load capability	static load (daN)		axial stiffness	mass (kg)
	mini	maxi	($\text{N}\cdot\text{mm}^{-1}$)	
2	4	6	12	0,85
3	8	12	24	

Example :
BFM-12

B F M - 1 2

Prefix :
"Low Frequency" mount
from the **BFM** series

min static load : 4 daN
max static load : 6 daN
axial average stiffness : 12 $\text{N}\cdot\text{mm}^{-1}$

01/01/2003

Socitec
BP 33, 78501 Sartrouville cedex - France
Telephone : +33 (0)1 61 04 60 00
Fax : +33 (0)1 39 14 03 27
<http://www.socitec.com>
e-mail : shock-intl@socitec.com



Document subject to modification without prior notice