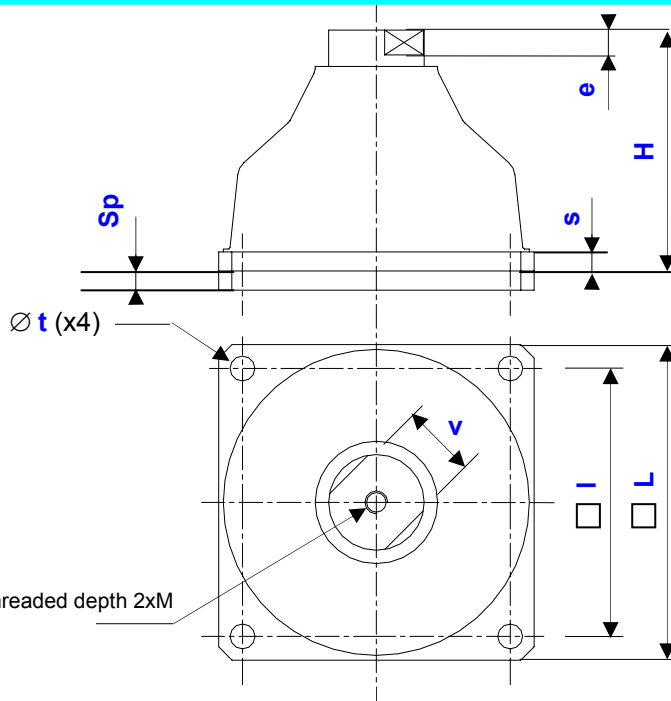


low frequency elastomer mounts navy shock line "BF"

series
BF45

definition



- Multidirectional anti-vibration/ shock mounts.
- Displacement under shock from 45 to 70mm.
- Transmissibility : $Q < 10$.
- Resonant frequency 5Hz for nominal load.
- Temperature range : -30°C $+100^{\circ}\text{C}$.
- Great adaptability/versatility : Specials on request (materials, size and interfaces, etc.).



Dimensions are in mm.

Series

Materials and finishes

BF45

Elastomer :
polychloroprene
Top and bottom interfaces :
corrosion protected steel

Other materials
on request.

Dimensions and Load

Model	H	L	I	e	v	t	M	s	Sp	static load (daN)		axial stiffness ($\text{N} \cdot \text{mm}^{-1}$)	mass (kg)	
										mini	maxi			
-30	100	150	114	10	27	9	M10	5	-	(15) (25)	25	36	25	3,5
-45											36	52	35	
-60											50	70	50	
-85											70	95	65	
-110											95	125	85	
-130	126	165	140	13	41	13	M20	10	-	(5) (15)	140	200	130	4,7
-170											185	275	175	
-230											260	380	230	
-320											350	500	290	
-425											400	600	400	
-500	154	250	210	14	41	18	M24	15	-	-	520	750	500	12,5
-625											640	960	650	
-800											880	1300	840	
-1080														

Example :
BF45-230e15



Prefix :
"Low Frequency" mount
from the **BF45** series

Model : -230
height : 126 mm
width : 165 mm
interface : M20

min static load : 185 daN
max static load : 275 daN
axial average stiffness : $175 \text{ N} \cdot \text{mm}^{-1}$

Spacer : e15
thickness : 15 mm

01/04/2006

Socitec
BP 33, 78501 Sartrouville cedex - France
Telephone : +33 (0)1 61 04 60 00
Fax : +33 (0)1 39 14 03 27
<http://www.socitec.com>
e-mail : shock-intl@socitec.com



Document subject to modification without prior notice