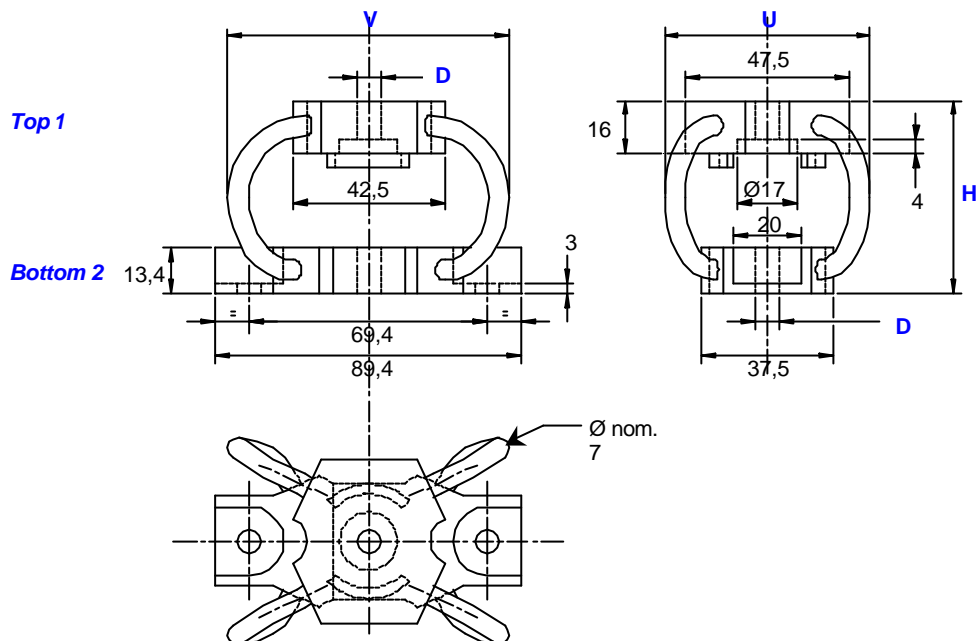


wire rope isolators standard line "Polycal"

series MP9

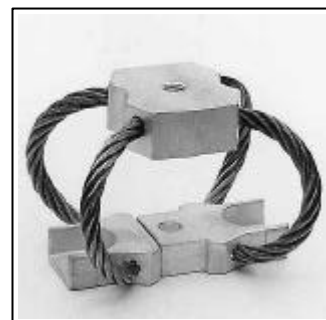
definition



Dimensions are in mm.

Dimensions for reference only.

- All metal multidirectional anti-vibration/shock mounts.
- Exceptional reliability and long life.
- High damping.
- No ageing.
- Corrosion resistant.
- Unequaled temperature range : -180°C +300°C.
- Cheap and quick prototypes from stock.



Series
Materials and finishes
MP9
Cable : stainless steel.
Interfaces : aluminium alloy.
Insert : stainless steel.
<i>Other materials on request.</i>

Model	height H (mm)	width U (mm)	width V (mm)	mass (kg)
-125	55	65	79	0,20
-180	73	77	90	0,23
-230	86	85	102	0,26
-280	106	97	114	0,29

Interfaces	fixture holes D
Top 1	1 through holes Ø 7 mm (option : M10)
Bottom 2	2 through holes Ø 7 mm

Example :
MP9-230

Prefix :
"Polycal" mount
from the **MP9** series

Model : -230
height : 86 mm
width U : 85 mm
width V : 102 mm
mass : 0,26 kg

M P 9 - 2 3 0

01/01/2003

Socitec
BP 33, 78501 Sartrouville cedex - France
Telephone : +33 (0)1 61 04 60 00
Fax : +33 (0)1 39 14 03 27
<http://www.socitec.com>
e-mail : shock-intl@socitec.com



Document subject to modification without prior notice

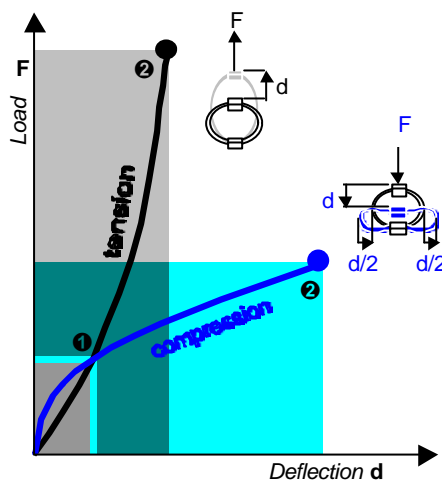
series

wire rope isolators

MP9

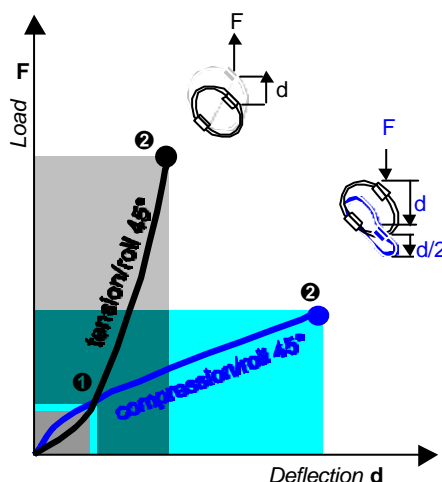
standard line "Polycal"

performances*



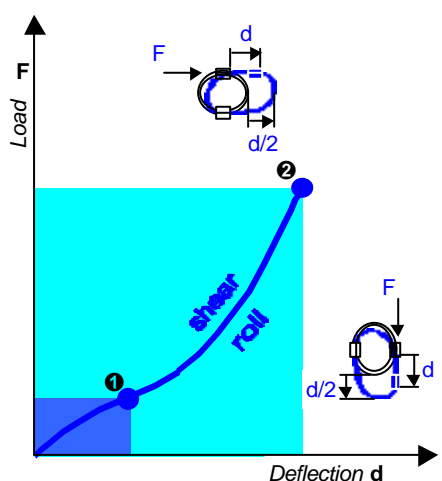
Compression and Tension

MP9 series	Model	-125	-180	-230	-280				
Max static	F daN	21,0	15,1	12,2	9,5				
	① d mm	4,2	7,4	9,1	11,4				
Max shock	F daN	62,9	45,3	36,5	28,6				
	② d mm	23	40	51	69				
Max vibration	2a mm	2,5	4,4	5,6	7,6				
	③ f Hz	8,0	5,7	5,0	4,1				
Max static	F daN	21,0	15,1	12,2	9,5				
	① d mm	3,4	5,1	6,2	7,6				
Max shock	F daN	197	124	96,6	70,9				
	② d mm	15	20	23	27				
Max vibration	2a mm	1,7	2,2	2,6	3,0				
	③ f Hz	11,1	9,1	8,3	7,5				



Compression/roll 45°-Tension/roll 45°

MP9 series	Model	-125	-180	-230	-280				
Max static	F daN	15,7	11,3	9,1	7,2				
	① d mm	6,9	12,6	16,5	21,1				
Max shock	F daN	38,8	27,2	21,7	16,8				
	② d mm	35	60	77	104				
Max vibration	2a mm	3,8	6,6	8,4	11,4				
	③ f Hz	6,7	4,8	4,1	3,4				
Max static	F daN	15,7	11,3	9,1	7,2				
	① d mm	5,3	8,0	9,7	11,8				
Max shock	F daN	145	90,1	70,0	51,0				
	② d mm	20	26	31	36				
Max vibration	2a mm	2,2	2,9	3,4	4,0				
	③ f Hz	9,8	8,1	7,3	6,6				



Shear or roll

MP9 series	Model	-125	-180	-230	-280				
Max static	F daN	10,5	7,6	6,1	4,8				
	① d mm	8,0	14,0	17,8	24,1				
Max shock	F daN	60,2	35,1	26,8	18,8				
	② d mm	24	37	45	57				
Max vibration	2a mm	2,6	4,0	5,0	6,3				
	③ f Hz	8,1	6,4	5,7	5,0				

- ① Max static load (F) with corresponding deflection (d)
- ② Max shock load (F) with corresponding deflection (d)
- ③ Uncoupled resonant frequency (f) under max static loading ① and max peak to peak sinusoidal vibration input (2a)

* Important : Performance characteristics are given here for reference only. They can be increased under specific conditions.

Contact us.

01/01/2003

Typical shock/vibration specifications :

Ground Forces	GAM EG13A, SEFT 001, MIL-STD-810, VG 95332.
Air	AIR 7306, MIL-E-5400, MIL-C-172, MIL-STD-810.
Marine	GAM EG13C, IT25-21/96-31/15-86, MIL-S-167, MIL-S-901, STANAG 042, BV 043.73, BV 044.
Others	GAM EMB1, GAM EMBT4, DEF STAN 07-55, IEC 571, FINABEL 2C.

Socitec
 BP 33, 78501 Sartrouville cedex - France
 Telephone : +33 (0)1 61 04 60 00
 Fax : +33 (0)1 39 14 03 27
 http://www.socitec.com
 e-mail : shock-intl@socitec.com

Document subject to modification without prior notice

